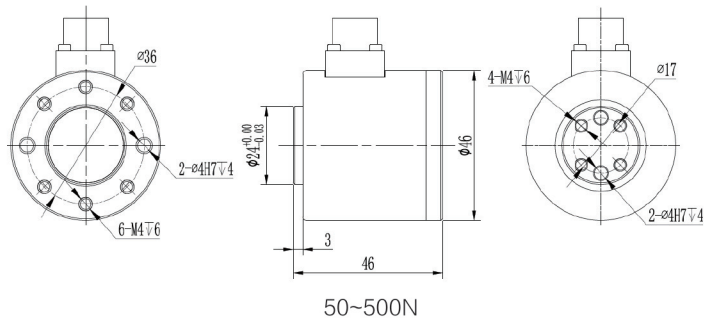


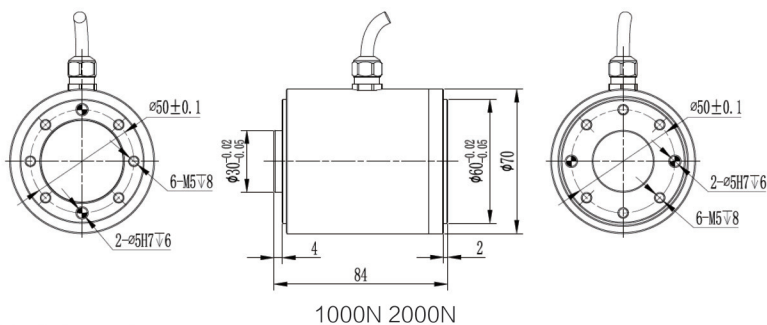
K501



◆ 安装尺寸/Mounting Dimension



50~500N



1000N 2000N

◆ 特点与用途/Features & Applications

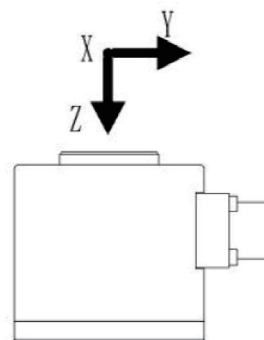
- 精度高、互绕小，抗偏载能力强
- 容易安装，IP66
- 接受定制规格
- 机器人手臂精密控制、曲面研磨抛光，加工中心精雕加工、医疗设备精密测试，各种实验室测试

- High accuracy with strong ability of anti-side force
- Easy to install, IP66 protection
- Dimension is customizable
- Precision control of mechanical arm, grinding and polishing for Spherical, carved processing of machining center, precision testing of medical equipment

◆ 参数 Specifications 技术指标/Technique

| 参数 | Specifications | 技术指标/Technique |
|------------|------------------------|--|
| 额定容量 | Capacity (N) | X: 50/100/200/300/500/1000/2000 Y: 50/100/200/300/500/1000/2000 Z: 50/100/200/300/500/1000/2000/5000 |
| 输出灵敏度 | Rated output | $\approx 1.0\text{mV/V}$ |
| 零点输出 | Zero balance | $\pm 3\%\text{F.S.}$ |
| 非线性 | Non-linearity | $0.3\%\text{F.S.}$ |
| 滞后 | Hysteresis | $0.2\%\text{F.S.}$ |
| 重复性 | Repeatability | $0.2\%\text{F.S.}$ |
| 互扰误差 | Interference error | $0.5\%\text{F.S.}$ |
| 蠕变 (30min) | Creep(30min) | $0.2\%\text{F.S.}$ |
| 温度灵敏度漂移 | Temp.effect on output | $0.1\%\text{F.S./}10^\circ\text{C}$ |
| 零点温度漂移 | Temp.effect on zero | $0.1\%\text{F.S./}10^\circ\text{C}$ |
| 输入电阻 | Input impedance | $350 \pm 10 \Omega$ |
| 输出电阻 | Output impedance | $350 \pm 10 \Omega$ |
| 绝缘电阻 | Insulation | $\geq 5000\text{M}\Omega/100\text{VDC}$ |
| 激励电压 | Recommended excitation | 5~12V |
| 最大激励电压 | Maximum excitation | 15V |
| 温度补偿范围 | Compensated temp range | $-10\sim 40^\circ\text{C}$ |
| 工作温度范围 | Operation temp range | $-20\sim 75^\circ\text{C}$ |
| 安全超载 | Safe overload | 150%F.S. |
| 极限超载 | Ultimate overload | 300%F.S. |
| 电缆线尺寸 | Cable size | $\phi 5 \times 4000\text{mm}$ |
| 防护等级 | IP Class | IP66 |

◆ 受力方式/Load Direction



◆ 配线图/Wiring Code

| | |
|---|----------------|
| 1 | EXC-Blue(蓝) |
| 2 | XSIG+Gray(灰) |
| 3 | YSIG+Brown(棕色) |
| 4 | ZSIG+White(白) |
| 5 | EXC-Black(黑) |
| 6 | XSIG-Green(绿) |
| 7 | YSIG-Yellow(黄) |
| 8 | ZSIG-Red(红) |

新产品

压向传感器

拉压向传感器

压电力传感器

多维力传感器

称重传感器

张力传感器

螺纹力

扭矩传感器

其它定制力传感器

称重模块

仪表模块放大器