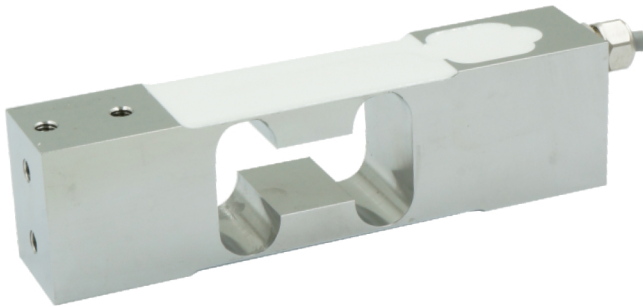
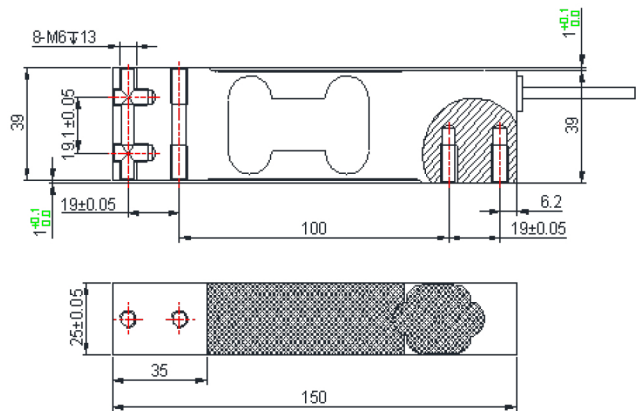


K715B



◆ 安装尺寸/Mounting Dimension



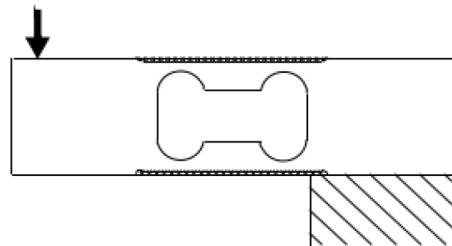
◆ 特点与用途/Features & Applications

- 铝合金材质，稳定性强
- 精度高、抗偏载能力强
- 容易安装，IP67
- 适用于电子秤、计数秤、电子天平及工业称重系统
- Made of Aluminum alloy, Strong stability
- High accuracy, Strong ability of anti-side force
- Easy to install, IP67 protection
- Mainly used for electronic scales, electronic balance, price computing scales and industrial weighing systems

◆ 参数 Specifications 技术指标/Technique

参数	Specifications	技术指标/Technique
额定容量	Capacity	3,6,10,20 ,50 ,100,150,200kg
精度等级	Accuracy class	C3
输出灵敏度	Rated output	2.0 ± 10% mV/V
零点输出	Zero balance	± 2% F.S.
非线性	Non-linearity	0.0166% F.S.
滞后	Hysteresis	0.0166% F.S.
重复性	Repeatability	0.02% F.S.
蠕变 (30min)	Creep(30min)	0.017% F.S.
温度灵敏度漂移	Temp.effect on output	0.017% F.S./10°C
零点温度漂移	Temp.effect on zero	0.02% F.S./10°C
输入电阻	Input impedance	420 ± 20 Ω
输出电阻	Output impedance	350 ± 10 Ω
绝缘电阻	Insulation	≥ 5000M Ω/100VDC
激励电压	Recommended excitation	5~15V
最大激励电压	Maximum excitation	20V
温度补偿范围	Compensated temp range	-10~40°C
工作温度范围	Operation temp range	-10~50°C
安全超载	Safe overload	150% F.S.
极限超载	Ultimate overload	300% F.S.
电缆线尺寸	Cable size	Φ5.2 × 1600mm
材料	Material	Aluminum alloy (铝合金)
防护等级	IP Class	IP67
最大秤盘尺寸	Max.platform size	600mm × 500mm

◆ 受力方式/Load Direction



◆ 配线图/Wiring Code

